

# Kidde ECS Advanced Delivery Fire Suppression System

## Component Description

Escutcheon Plates, 3-inch and 5-inch  
P/N: 06-23613X-001



### FEATURES

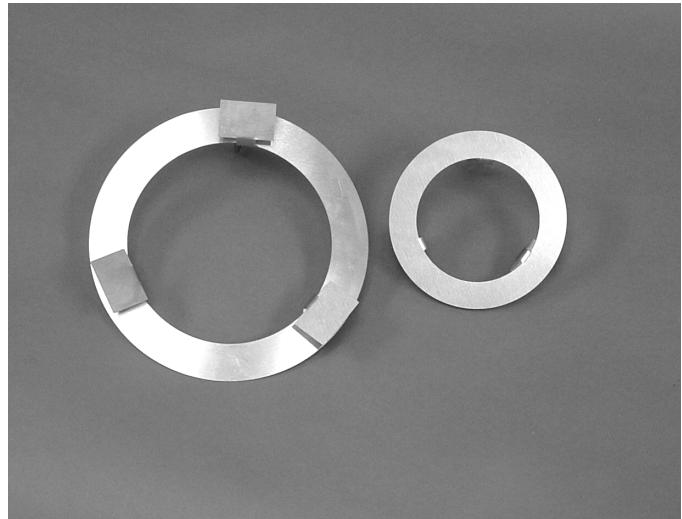
- Available in Two Sizes
- Bendable Tabs Adapt to Fit Ceiling Tile
- Easily Installed
- Aesthetically Pleasing
- Can be Primed or Painted any Color to Match Ceiling Color
- RoHS Compliant

### DESCRIPTION

Kidde ECS ADS Fire Suppression System with FM-200® Agent Escutcheon Plates are available for applications where esthetics are a concern. The plates are available in a 3-inch size for use with 1/2- and 3/4-inch nozzles, and in a 5-inch size for use with 1-inch to 2-inch nozzles. Bendable side tabs allow the plates to adapt to fit ceiling tiles from 1/2- to 3/4-inch thick. The plates are easy to install and can take a paint finish to match the surrounding ceiling color for an unobtrusive installation.

### INSTALLATION

Once the nozzle location has been determined, cut a hole in the ceiling tile based on the referenced inner diameter shown in the ordering information table. Once the hole has been cut, bend up the tabs and position escutcheon plate in place. Bend the tips of the tabs so that the tabs catch the tile and are not able to be pulled through (see Figure 1).



### SPECIFICATIONS

#### MATERIALS

**Body:** Stainless Steel  
**Finish:** 150 grain finish  
**Approx. Weight:**  
**3-inch:** 0.1 lb. (45 g)  
**5-inch:** 0.2 lb. (91 g)

### ORDERING INFORMATION

Description	Part Number	Dia. A (Outer Dia.)	Dia. B (Inner Dia.)
3-in. Escutcheon	06-236133-001	4.88 in.	2.25 in.
5-in. Escutcheon	06-236134-001	7.50 in.	3.75 in.

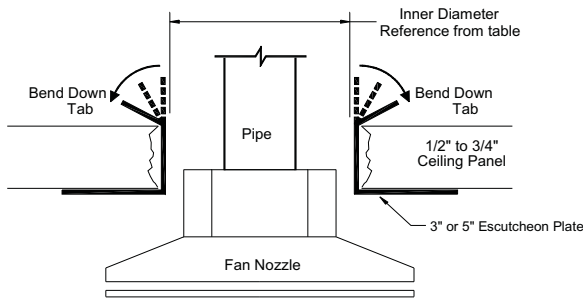


Figure 1. Installation of Escutcheon Plate

## DIMENSIONS

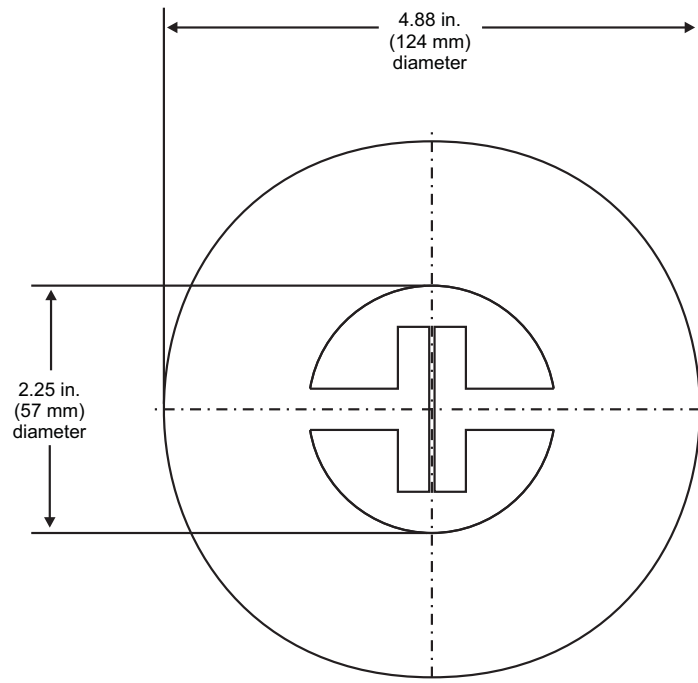


Figure 2. Dimensions for 3-inch Plate

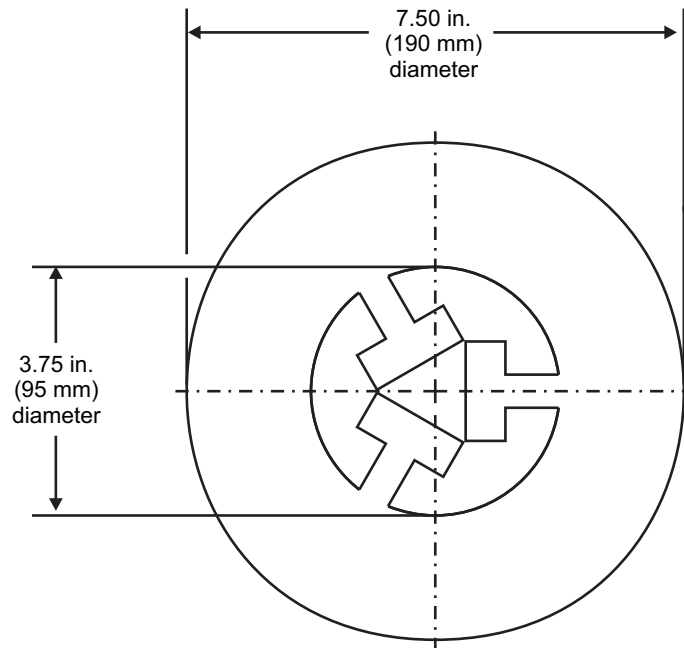


Figure 3. Dimensions for 5-inch Plate

FM-200 is a registered trademark of E.I. du Pont de Nemours and Company. Kidde is a registered trademark of Kidde-Fenwal Inc. All other trademarks are the property of their respective owners.

This literature is provided for informational purposes only. KIDDE-FENWAL, INC. assumes no responsibility for the product's suitability for a particular application. The product must be properly applied to work correctly. If you need more information on this product, or if you have a particular problem or question, contact Kidde-Fenwal Inc.